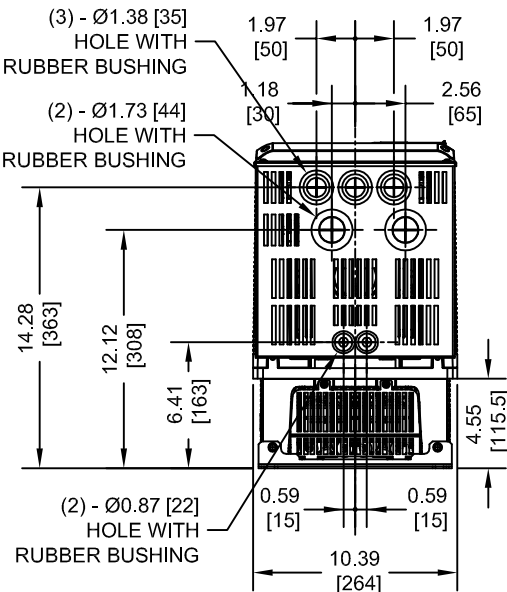
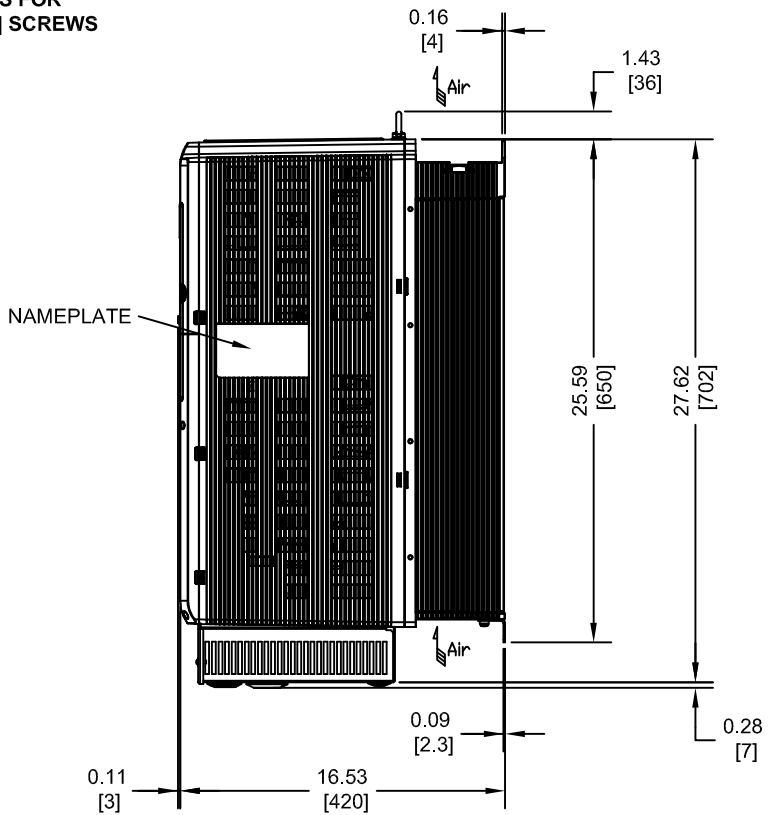
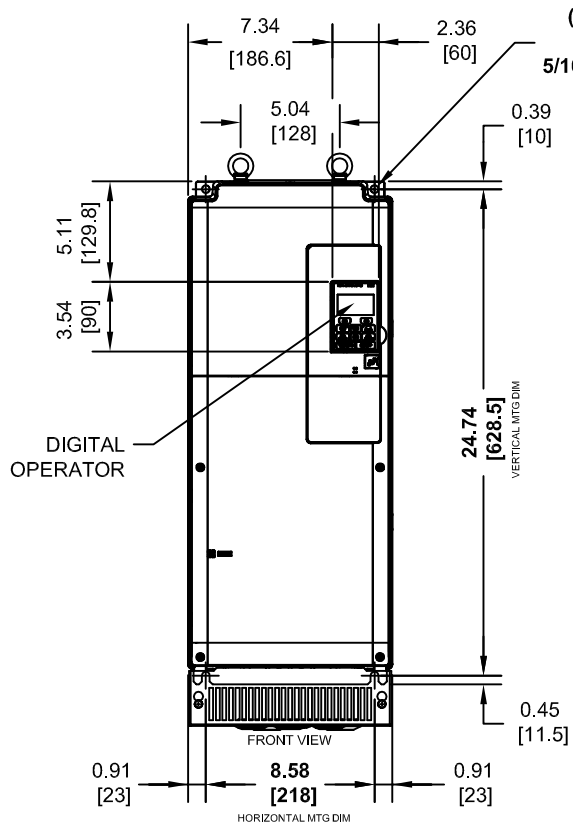
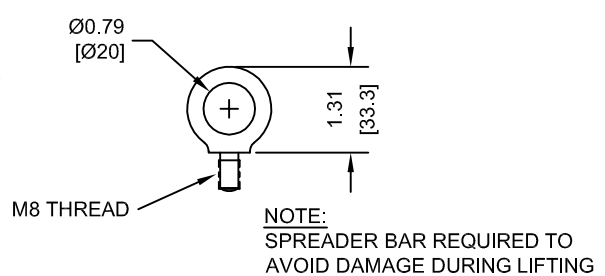


LIFTING AND EYEBOLT DETAILS



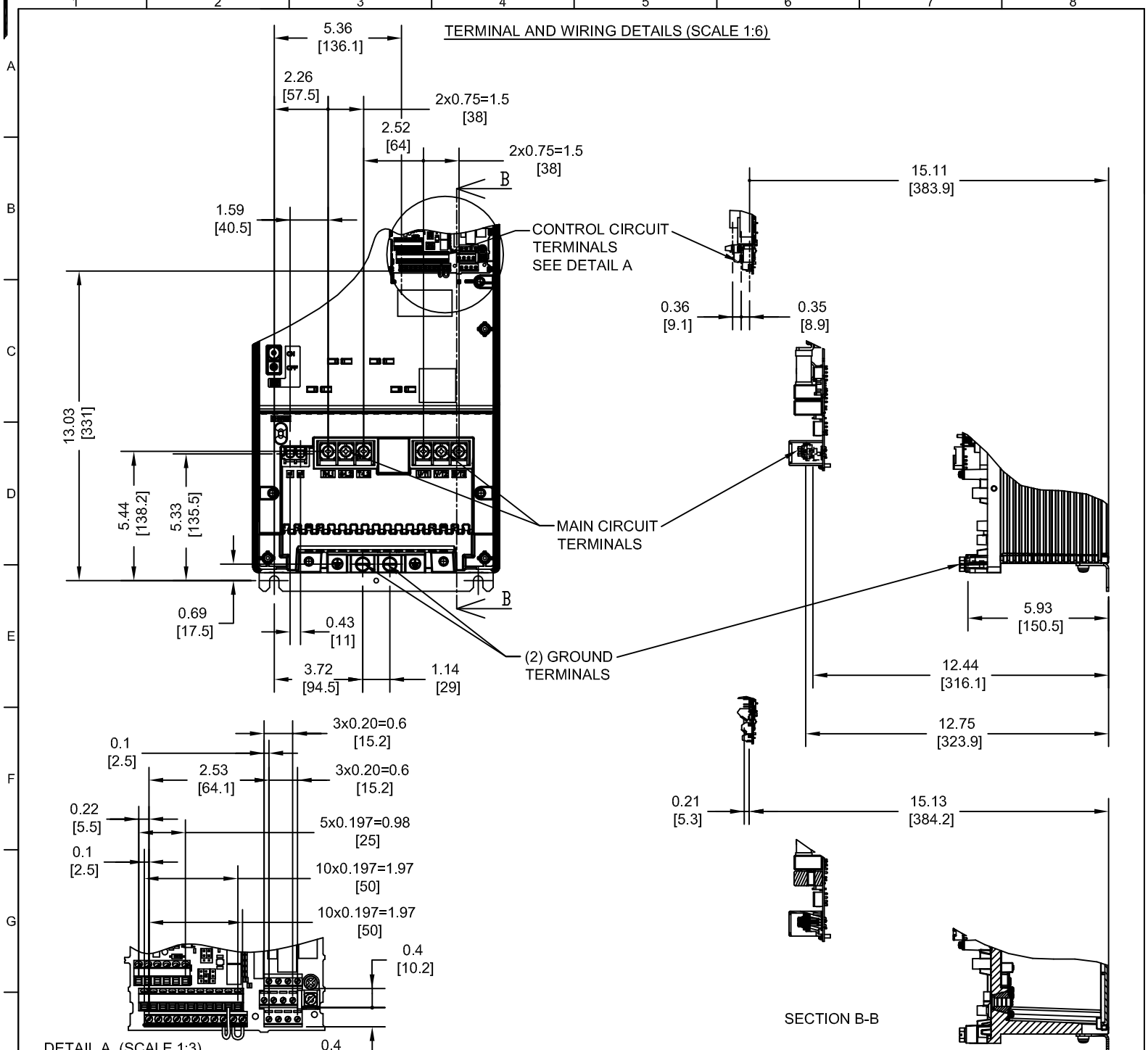
THE DIMENSIONS SHOWN ARE FOR AN IP00 OPEN TYPE DRIVE THAT HAS BEEN CONVERTED TO A NEMA TYPE 1 DRIVE BY ADDING THE PARTS FROM NEMA 1 KIT PART NUMBER EZZ022745B

MODEL # CIMR-UW	VOLTAGE 3-PHASE (VAC)	OUTPUT CURRENT (A)	WEIGHT LBS (Kg)	HEAT LOSS (W) (Fc=4kHz)		
				INT	EXT	TOT
2□0042□□□	200/240	42	75 (34)	168	854	1022
2□0054□□□		54	75 (34)	195	1037	1232
2□0068□□□		68	82 (37)	225	1295	1520
2□0081□□□		81	82 (37)	238	1420	1658
4□0040□□□	380/500	40	75 (34)	174	877	1051
4□0052□□□		52	75 (34)	209	1109	1318
4□0065□□□		65	82 (37)	240	1369	1609
4□0077□□□		77	82 (37)	251	1479	1730

NOTES:  
□ DENOTES A-Z  
□□ DENOTES AAA-ZZZ  
INT=INTERNAL COMPONENTS  
EXT=EXTERNAL HEATSINK  
TOT=TOTAL

FOR ADDITIONAL DETAILS AND SPECIFICATIONS, CONSULT MANUAL

TOLERANCES / REFERENCES:		<b>YASKAWA</b>	DRAWN: J. MATTAS	DATE 9-26-16	TITLE: U1000 iQpump DIMENSION DRAWING FRAME SIZE 2 NEMA TYPE 1 ENCLOSURE
UNITS: IN[mm]			SCALE: 1:10	CHECKED: J. PIOTROWSKI	DATE 9-29-16
THIS DOCUMENT AND INFORMATION CONTAINED IN IT ARE CONFIDENTIAL, AND CANNOT BE COPIED OR DISCLOSED IN WHOLE OR IN PART WITHOUT THE EXPRESS WRITTEN CONSENT OF YASKAWA AMERICA, INC.			TECH: J. BORJA	DATE 10-3-16	SIZE A
			APPROVED: J. CAIRO	DATE 10-20-16	REVISION R00
			ORIGINAL DESIGN: -	DATE -	PAGE 1 of 3
					DRAWING #: <b>DD.UW1K.FR2.N1</b>



DETAIL A (SCALE 1:3)  
CONTROL CIRCUIT TERMINALS

TERMINAL AND WIRE SPECIFICATIONS FOR  
MAIN CIRCUIT AND GROUND

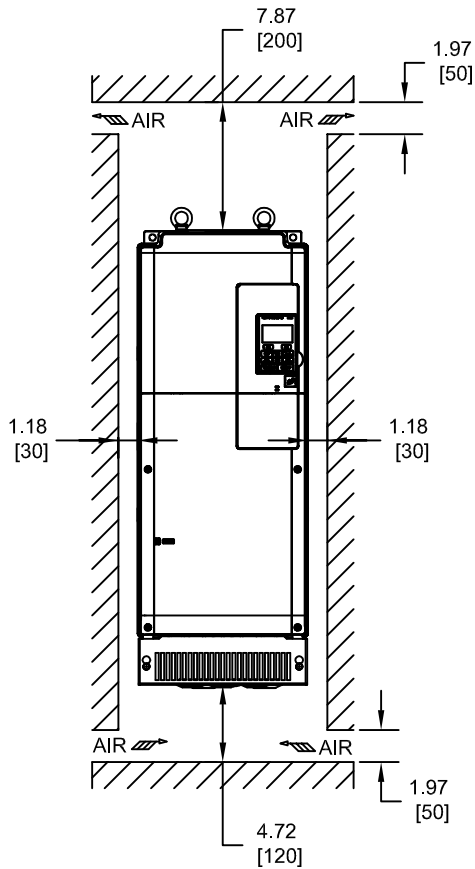
MODEL # CIMR-UW	TERMINAL SYMBOL	TERMINAL SCREW	CLAMPING TORQUE lb.in.(N.m.)	WIRE RANGE AWG(mm <sup>2</sup> )
2□0042	R/L1, S/L2, T/L3	M6	35.4 TO 53.1 (4 TO 6)	10 TO 4 (6 TO 25)
2□0054	U/T1, V/T2, W/T3			
2□0068	p1, n1	M4	8.9 TO 12.4 (1 TO 1.4)	14 TO 12 (2.5 TO 4)
2□0081				
4□0040	⊕	M8	78.1 TO 95.5 (8.8 TO 10.8)	10 TO 4 (6 TO 25)
4□0052				
4□0065				
4□0077				

NOTE: REFER TO APPLICABLE CODES FOR PROPER WIRE TYPE AND SIZE

FOR ADDITIONAL DETAILS AND SPECIFICATIONS, CONSULT MANUAL

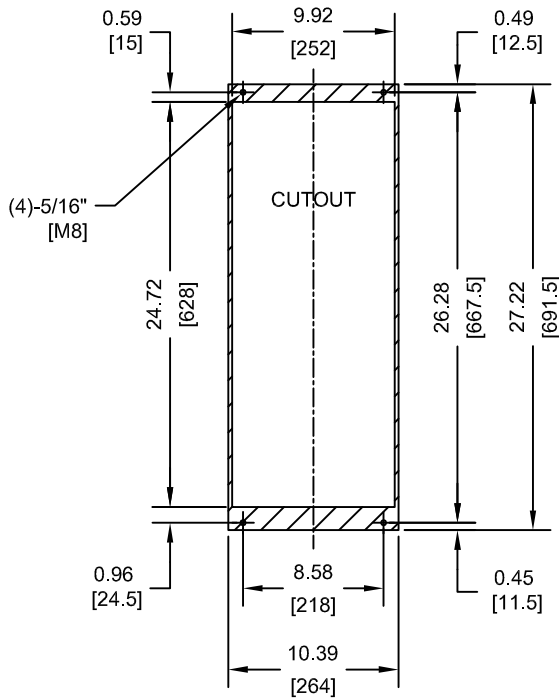
TOLERANCES / REFERENCES:		<b>YASKAWA</b>	DRAWN: J. MATTAS	DATE: 9-26-16	TITLE: U1000 iQpump DIMENSION DRAWING FRAME SIZE 2		
UNITS: IN[mm]			SCALE: BY VIEW	CHECKED: J. PIOTROWSKI	DATE: 9-29-16	NEMA TYPE 1 ENCLOSURE	
			THIS DOCUMENT AND INFORMATION CONTAINED IN IT ARE CONFIDENTIAL, AND CANNOT BE COPIED OR DISCLOSED IN WHOLE OR IN PART WITHOUT THE EXPRESS WRITTEN CONSENT OF YASKAWA AMERICA, INC.		TECH: J. BORJA	DATE: 10-3-16	2□0042 - 2□0081, 4□0040 - 4□0077
					APPROVED: J. CAIRO	DATE: 10-20-16	SIZE: A
			ORIGINAL DESIGN: -	DATE: -	DRAWING #: <b>DD.UW1K.FR2.N1</b>		

MINIMUM INSTALLATION CLEARANCES (SCALE 1:12)



NOTE:  
FOR SIDE-BY-SIDE MOUNTING  
CONSULT MANUAL

PANEL CUTOUT FOR EXTERNAL HEATSINK  
MOUNTING CONFIGURATION (SCALE 1:12)



NOTES:  
1. EXTERNAL HEATSINK  
CONFIGURATION REQUIRES  
MOUNTING KIT  
2. EXPOSED HEATSINK  
RECOMMENDED CLEARANCE  
D=5.12"

FOR ADDITIONAL DETAILS AND SPECIFICATIONS, CONSULT MANUAL

TOLERANCES / REFERENCES:		<b>YASKAWA</b>	DRAWN: J. MATTAS	DATE 9-26-16	TITLE: U1000 iQpump DIMENSION DRAWING			
			CHECKED: J. PIOTROWSKI	DATE 9-29-16	FRAME SIZE 2			
		THIS DOCUMENT AND INFORMATION CONTAINED IN IT ARE CONFIDENTIAL, AND CANNOT BE COPIED OR DISCLOSED IN WHOLE OR IN PART WITHOUT THE EXPRESS WRITTEN CONSENT OF YASKAWA AMERICA, INC.		TECH: J. BORJA	DATE 10-3-16	NEMA TYPE 1 ENCLOSURE		
				APPROVED: J. CAIRO	DATE 10-20-16	SIZE A	REVISION R00	PAGE 3 of 3
UNITS: IN[mm]	SCALE: BY VIEW	ORIGINAL DESIGN: -		DATE -	DRAWING #: <b>DD.UW1K.FR2.N1</b>			